

Unical

# FIREX.

PASSION FOR HEATING



## New generation biomass boiler

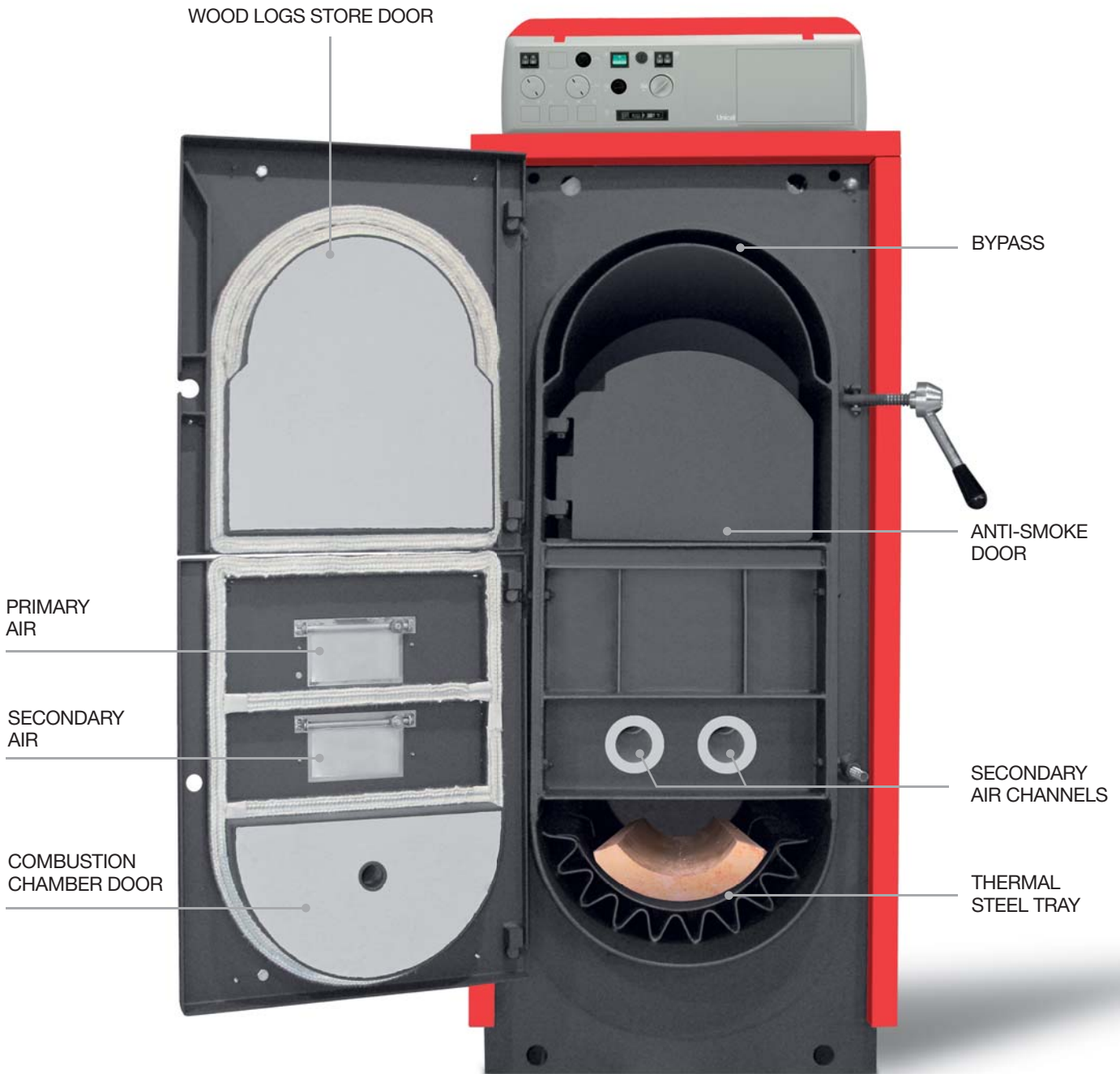
Unical introduces **the new FIREX range** in answer to the increasing call for firewood boilers that use renewable resources. A wood log fired boiler with charming aesthetics, coupled with several innovative technological solutions:

- **3 models** with power of **34, 45 and 55 kW**
- **Total gasification pyrolytic combustion**

The principle of operation was inspired by the award winning AIREX model.

The excellent thermal performance of the boiler gives a **82% efficiency rating**.

MODEL	nominal output kW	nominal input kW	wood store volume l	dimensions (HxWxD) mm
<b>FIREX 34</b>	28,2	34,6	108	1420x510x995
<b>FIREX 45</b>	35,1	43	160	1570x610x995
<b>FIREX 55</b>	45,2	55,4	218	1570x610x1195



## Build quality and durability

- **8 mm** thick steel plates on the casing of the wood log store
- Grate and fire bars in stainless steel **AISI 310 S**.
- Tray in high **resistance thermal** steel.
- **The inside rear wall** is made of **refractory material**; avoiding condensate formation, and subsequent corrosion.

## Energy saving and efficiency

- A **butterfly adjuster**, with integral non-return valve, for the maximum precision of the primary and secondary air regulation.
- **The high efficiency wood gasification** fan is placed on the smoke suction side.
- **The outer shell insulation is made with 50 mm thick**, anti-tearing mineral wool panels and aluminum sheet.

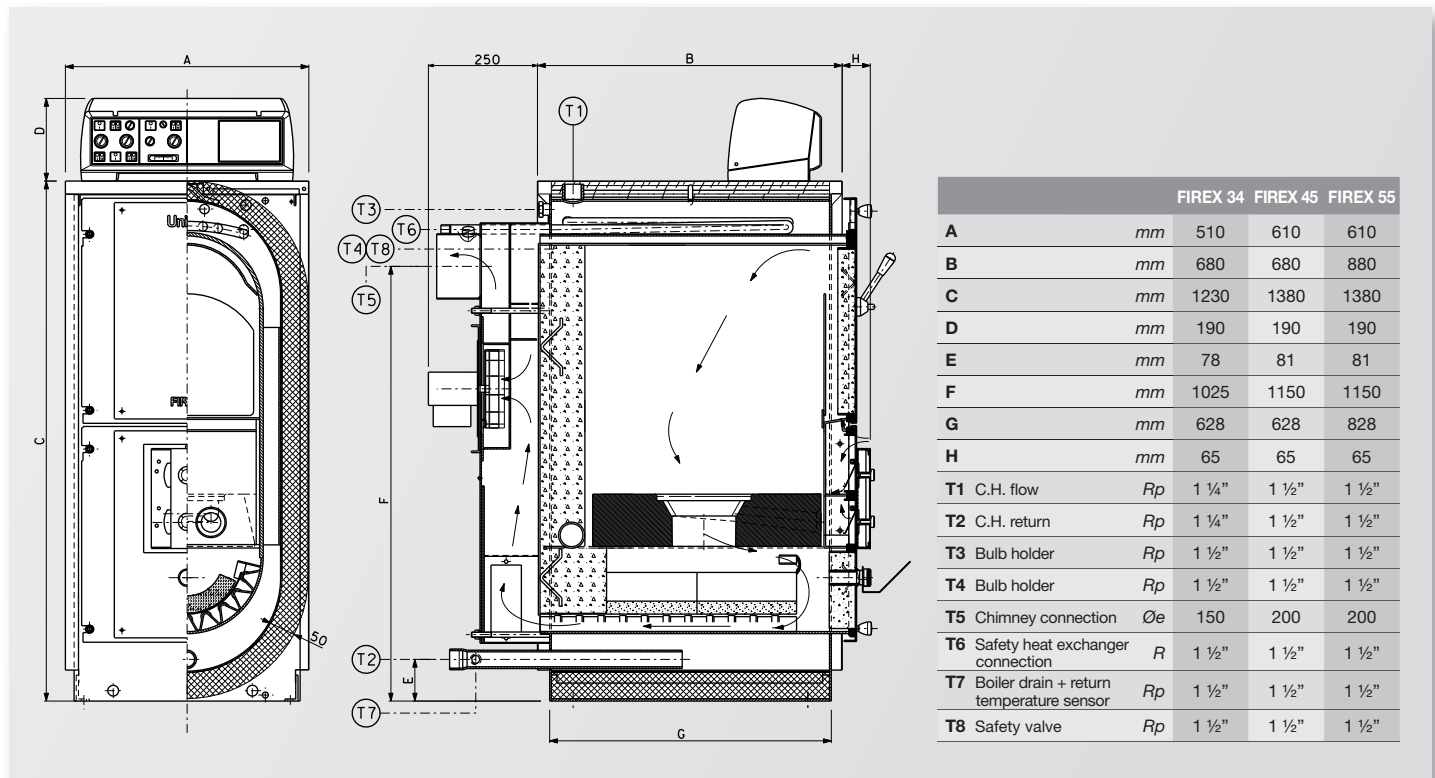
## Safety and versatility of use

- **Anti-overheating protection**, thanks to the steel coil heat exchanger, immersed directly in the upper part of the boiler.
- **Thermostatic panel board** for the automatic management of the boiler fan and of the different types of C.H. installations:
  - Only heating
  - Heating and D.H.W. production, with single or double coil type storage tank, or Tank in Tank

## Practicality and ease of use

- **Maximum autonomy** thanks to the capacious wood log store (on average between 15 and 30% more than other equivalent output models).
- New system of “**Anti-smoke by-pass**” on the upper door.
- **Loading and maintenance of the wood store made easier, both**, by the insulated frontal loading door and one of the combustion chamber, thanks to the complete 180° opening.
- **Simplification in the wood logs restocking**, thanks to the total rotation of the anti-smoke door, placed between the external loading door and the wood logs store.
- Fast, easy opening and closing of the fire door, thanks to the rotating knob and the comfortable insulated handle.

## Dimensions



Unical

AMI



ABSOLUTELY MADE IN ITALY