

Unical

ELLPREX



BREVETTO
Unical
PATENT

smoke pipes

PRESSURIZED STEEL BOILER WITH REVERSED FLAME

OUTPUT RANGE

from 420 to 7000 kW

OPERATION TEMPERATURE

minimum return temperature 55°C

SUPPLY

gas or oil fired pressure jet burners

MODELS

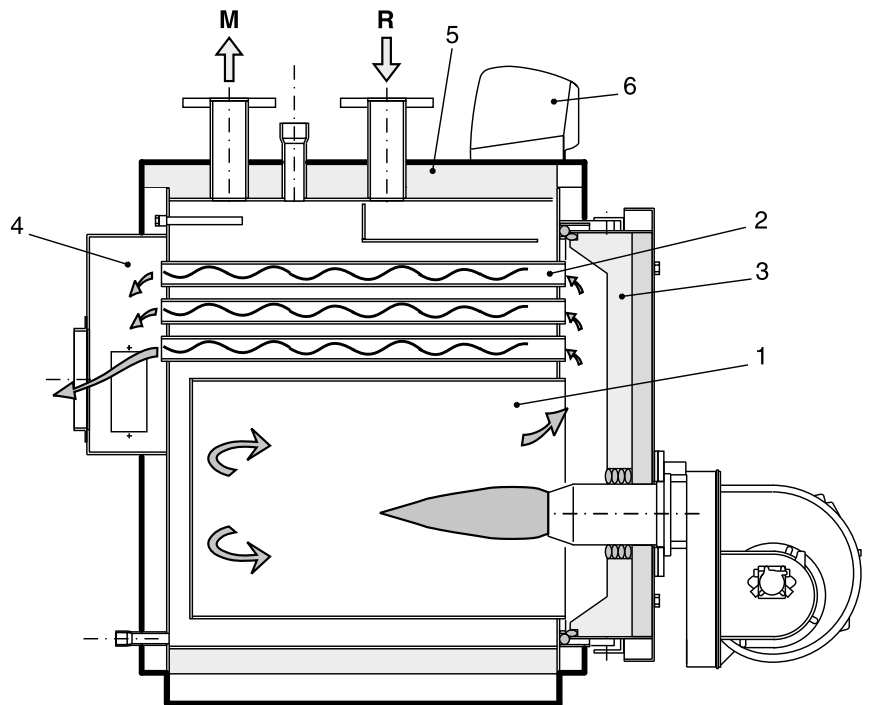
420	510	630	760	870	970	1100	1320	1570	1850	2200
2650	3000	3500	4000	4500	5000	5500	6000	6500	7000	-

CERTIFICATION IN OUTPUT RANGE

(in the order, it's possible to request a specific output within the certified range)

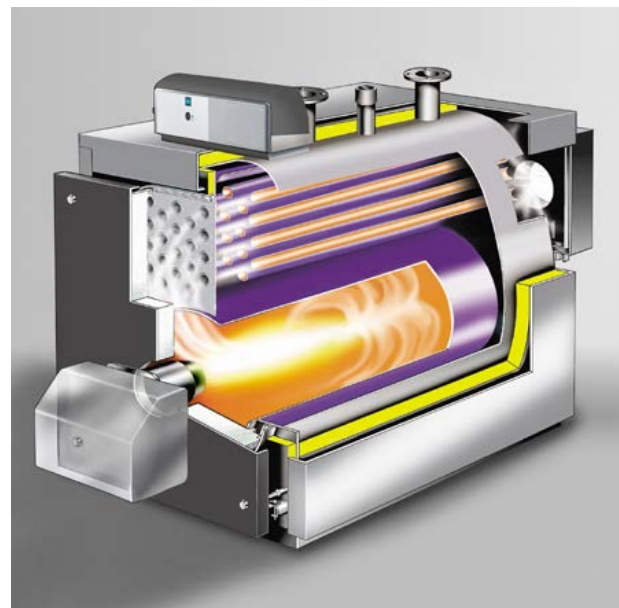
MAIN COMPONENTS

1. Furnace
2. Smoke pipes with smoke diverters
3. Door with flame control warning light
4. Smoke chamber
5. Body insulation
6. Panel board

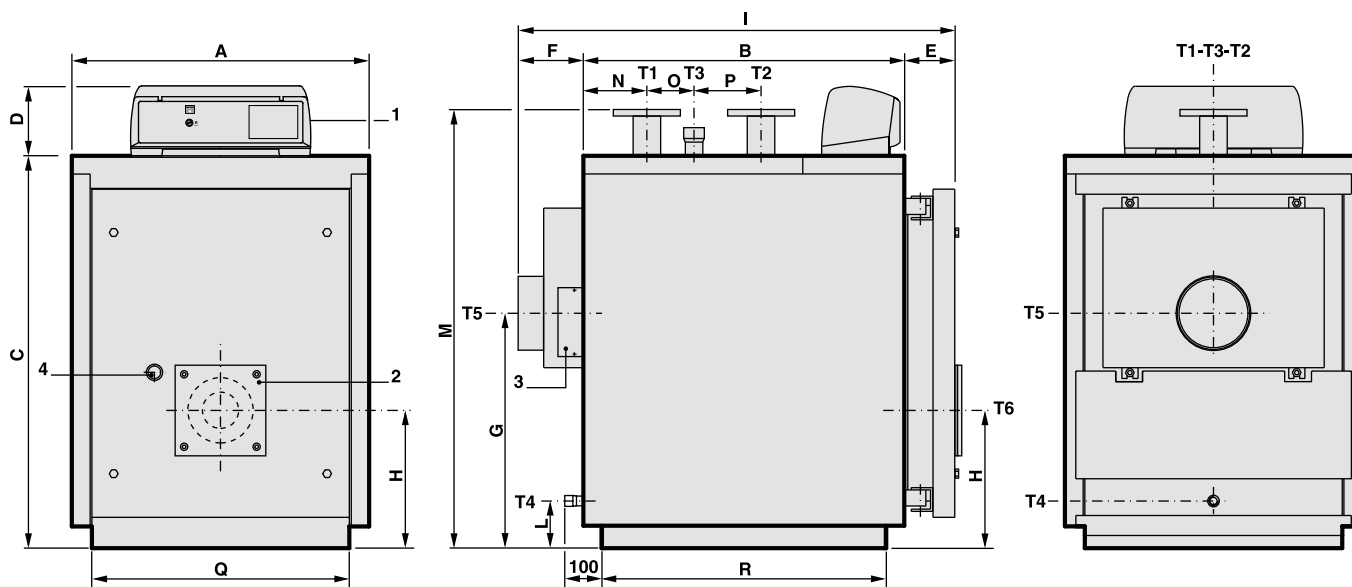


PRODUCT PLUS VALUES

- **FLEXIBILITY OF USE**
- **THERMAL EXCHANGE OPTIMISATION**
by driven water passage into the boiler
- **THE ELLIPTIC SHELL SHAPE (up to 970 kW)**
has interesting advantages:
 - smaller dimensions (for easier transport and positioning)
 - smoke pipes positioning above the furnace with drastic reduction of the possible condensation
- **SMOKE PIPES OF HIGH THICKNESS**
with anti-condensing effect
- **TURBOLATORS**
for the thermal exchange optimisation into the smoke pipes
- **CYLINDRICAL FLOATING FURNACE**
anti thermo-mechanic stress from 760 kW
- **BOTTOM OF THE FURNACE WITH DISSIPATION PLATES**
for greater performance and greater mechanical resistance
- **FRONT DOOR**
with self centering locking
- **INTERNAL DOOR INSULATION**
in light refractory concrete
- **EXTERNAL CASING**
inclusive of 80 mm rock wool insulation
- **THERMOSTATIC OR ELECTRONIC CONTROL PANELS (optional)**
- **FACILITATED TRANSPORT**
thanks to the upper hooks and strong base plates



DIMENSIONS ELLPREX 420÷970



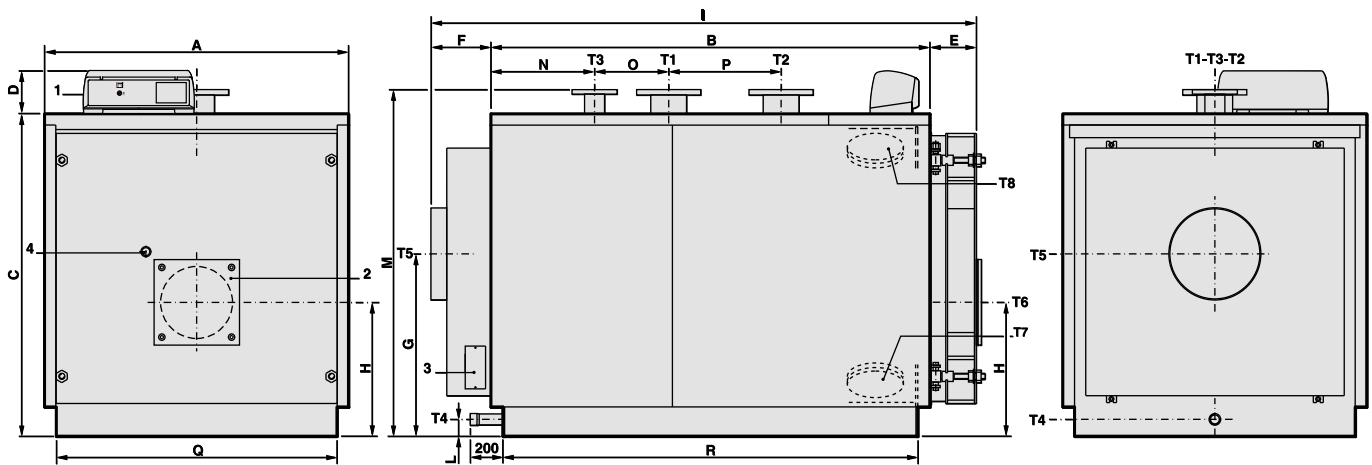
- | | | |
|--------------------------------------|---------------------------------------|------------------------------|
| 1 Panel board | T1 Heating flow | T5 Chimney connection |
| 2 Burner connection flange | T2 Heating return | T6 Burner connection |
| 3 Smoke chamber cleaning door | T3 Expansion vessel connection | |
| 4 Flame control warning light | T4 Boiler drain | |

ELLPREX	CONNECTIONS					Weight kg
	T1 T2	T3	T4	T5 Øi	T6 Ø	
	UNI 2278 PN16	ISO 7/1 UNI 2278 PN16	ISO 7/1	mm	mm	
420	DN 100	Rp 2	Rp ¾	250	220	796
510	DN 100	Rp 2	Rp ¾	250	220	919
630	DN 100	Rp 2	Rp ¾	300	220	1049
760	DN 125	DN 65	Rp 1¼	350	270	1341
870	DN 125	DN 65	Rp 1¼	350	270	1447
970	DN 125	DN 65	Rp 1¼	350	270	1553

ELLPREX	A	B	C	D	E	F	G	H	I	L	M*	N	O	P	Q*	R*
	mm	mm	mm	mm	mm	mm	mm	mm	mm	mm	mm	mm	mm	mm	mm	mm
420	890	1275	1352	190	139	190	748	440	1606	125	1485	255	285	315	780	1177
510	890	1470	1352	190	139	190	748	440	1801	125	1485	255	480	315	780	1372
630	890	1780	1352	190	139	190	748	440	2113	125	1485	255	790	315	780	1682
760	1122	1605	1432	190	195	190	765	480	1989	125	1540	298	435	440	1020	1504
870	1122	1800	1432	190	195	190	765	480	2184	125	1540	298	630	440	1020	1699
970	1122	1995	1432	190	195	190	765	480	2379	125	1540	298	825	440	1020	1894

(*) Minimum dimensions for boiler room access.

DIMENSIONS ELLPREX 1100÷2650



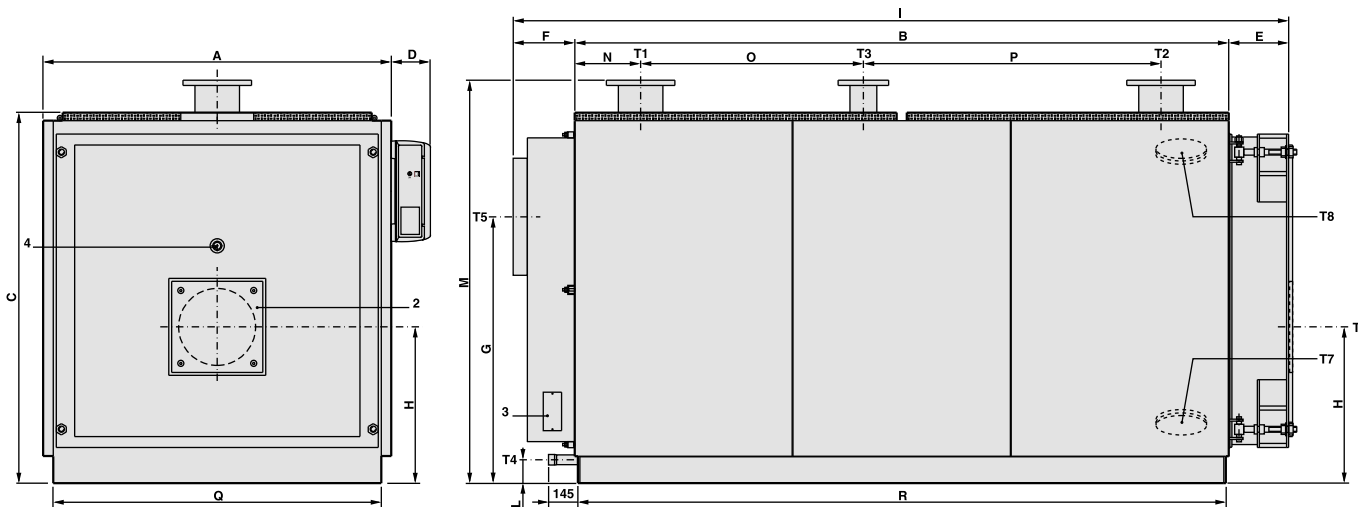
- 1 Panel board
- 2 Burner connection flange
- 3 Smoke chamber cleaning door
- 4 Flame control warning light
- T1 Heating flow
- T2 Heating return
- T3 Expansion vessel connection
- T4 Boiler drain
- T5 Chimney connection
- T6 Burner connection
- T7 Boiler air bleed
- T8 Inspection door

ELLPREX	CONNECTIONS					Weight kg
	T1 T2	T3	T4	T5 Øi	T6 Ø	
	UNI2278 PN16	UNI2278 PN16	ISO 7/1	mm	mm	
1100	DN 150	DN 80	Rp 1½	400	320	1821
1320	DN 150	DN 80	Rp 1½	400	320	2030
1570	DN 175	DN 100	Rp 1½	450	320	2780
1850	DN 175	DN 100	Rp 1½	450	320	3280
2200	DN 200	DN 125	Rp 1½	520	380	4145
2650	DN 200	DN 125	Rp 1½	520	380	4465

ELLPREX	A	B	C	D	E	F	G	H	I	L	M*	N	O	P	Q*	R*
	mm	mm	mm	mm	mm	mm	mm	mm	mm	mm	mm	mm	mm	mm	mm	mm
1100	1352	1952	1432	190	207	187	810	595	2346	180	1540	461	330	500	1250	1846
1320	1352	2292	1432	190	207	187	810	595	2686	180	1540	461	670	500	1250	2186
1570	1462	2282	1542	190	227	272	880	640	2781	75	1650	561	510	550	1360	2176
1850	1462	2652	1542	190	227	272	880	640	3151	75	1650	561	880	550	1360	2546
2200	1622	2692	1702	190	259	274	950	690	3225	75	1810	661	670	700	1520	2590
2650	1622	3014	1702	190	258	273	950	690	3545	75	1810	662	990	700	1520	2910

(*) Minimum dimensions for boiler room access.

DIMENSIONS ELLPREX 3000÷4000



- 1 Panel board
- 2 Burner fixing plate
- 3 Smoke chamber cleaning door
- 4 Sight glass

- T1 C.H. flow
- T2 C.H. return
- T3 Expansion vessel connection
- T4 Boiler drain

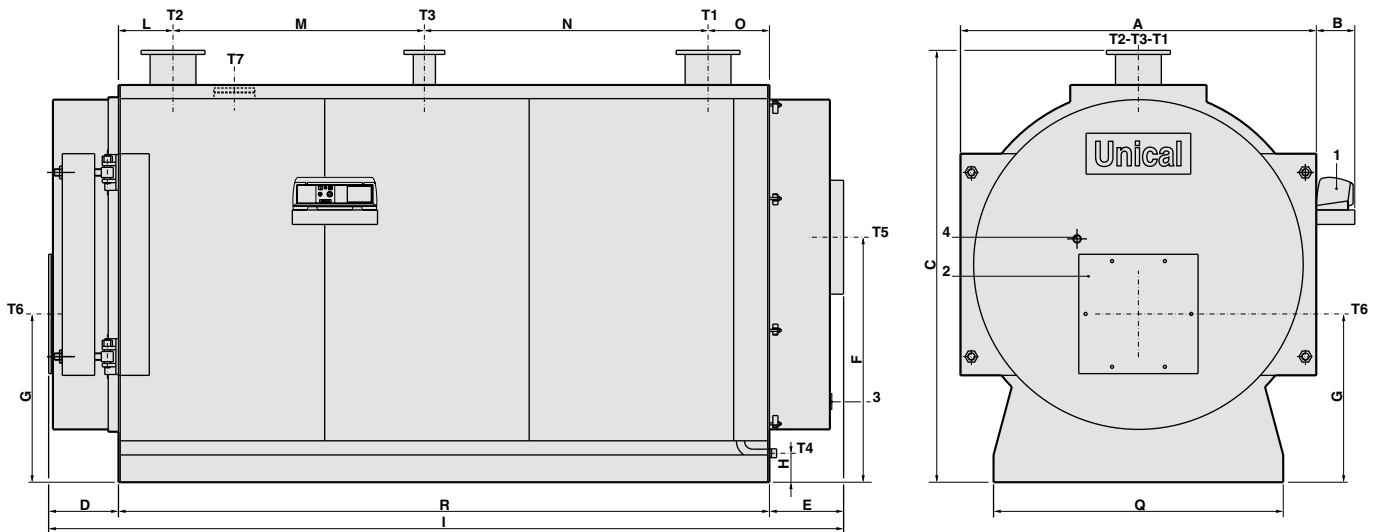
- T5 Flue socket
- T6 Burner connection
- T7 Sludge drain
- T8 Inspection door

ELLPREX	CONNECTIONS					Weight kg
	T1 T2	T3	T4	T5 Øi	T6 Ø	
	UNI2278 PN16	UNI2278 PN16	ISO 7/1	mm	mm	
3000	DN 200	DN 125	Rp 1½	570	380	5110
3500	DN 200	DN 125	Rp 1½	620	400	6700
4000	DN 250	DN 125	Rp 1½	620	400	7500

ELLPREX	A	B	C	D	E	F	G	H	I	L	M*	N	O	P	Q*	R*
	mm	mm	mm	mm	mm	mm	mm	mm	mm	mm	mm	mm	mm	mm	mm	mm
3000	1720	3230	1830	190	295	310	1315	772	3835	115	1990	325	1100	1470	1620	3200
3500	1970	3194	2090	190	325	360	1535	915	3879	144	2271	377	1060	1420	1870	3164
4000	1970	3594	2090	190	325	360	1535	915	4279	144	2271	777	1060	1420	1870	3564

(*) Minimum dimensions for boiler room access.

DIMENSIONS ELLPREX 4500÷7000



- | | | |
|--------------------------------------|---------------------------------------|------------------------------|
| 1 Panel board | T1 Heating flow | T5 Chimney connection |
| 2 Burner connection flange | T2 Heating return | T6 Burner connection |
| 3 Smoke chamber cleaning door | T3 Expansion vessel connection | T7 Inspection door |
| 4 Flame control warning light | T4 Boiler drain | |

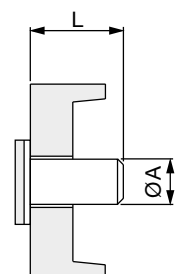
ELLPREX	CONNECTIONS						Weight kg
	T1 T2	T3	T4	T5 Øi	T6 Ø	T7 Ø	
	UNI2278PN16	UNI2278PN16	ISO 7/1	mm	mm	mm	
4500	DN 250	DN 125	Rp 1½	660	500	133	8310
5000	DN 250	DN 125	Rp 1½	660	500	133	8310
5500	DN 250	DN 125	Rp 1½	660	500	133	9300
6000	DN 250	DN 125	Rp 1½	660	500	133	9300
6500	DN 250	DN 125	Rp 1½	720	500	133	12600
7000	DN 250	DN 125	Rp 1½	720	500	133	12600

ELLPREX	A	B	C*	D	E	F	G	H	I	L	M	N	O	Q*	R*
	mm	mm	mm	mm	mm	mm	mm	mm	mm	mm	mm	mm	mm	mm	mm
4500	2088	226	2533	417	445	1437	987	170	4682	320	1475	1665	360	1700	3820
5000	2088	226	2533	417	445	1437	987	170	4682	320	1475	1665	360	1700	3820
5500	2214	240	2653	437	465	1550	1007	167	4872	320	1475	1815	360	1700	3970
6000	2214	240	2653	437	465	1550	1007	167	4872	320	1475	1815	360	1700	3970
6500	2380	240	2860	509	595	1650	1100	224	5484	325	2920	670	465	1850	4380
7000	2380	240	2860	509	595	1650	1100	224	5484	325	2920	670	465	1850	4380

(*) Minimum dimensions for boiler room access.

BURNER BLAST TUBE DIMENSIONS

BOILER TYPE	øA mm	L mm	BOILER TYPE	øA mm	L mm
ELLPREX 420÷630	220	250	ELLPREX 3000	380	400
ELLPREX 760÷970	270	270	ELLPREX 3500÷4000	400	400
ELLPREX 1100÷1320	320	300	ELLPREX 4500÷6000	500	520
ELLPREX 1570÷1850	320	320	ELLPREX 6500÷7000	500	630
ELLPREX 2200÷2650	380	350			



TECHNICAL DATA

ELECTRICAL, HYDRAULIC, INSTALLATION DIAGRAMS AND CONTROLLERS can be unloaded from the web site www.unical.eu at the page of the product

ELLPREX (Gas fired)		420	510	630	760	870	970	1100	1320
Nominal heat output	kW	315÷420	385÷510	480÷630	580÷760	660÷870	750÷970	860÷1100	1000÷1320
Thermal output of furnace	kW	342÷459	418÷557	520÷688	630÷830	715÷950	815÷1060	935÷1200	1087÷1442
Efficiency at nominal load (100%)	%	92.1÷91.5	92.1÷91.5	92.3÷91.5	92÷91.5	92.3÷91.5	92÷91.5	91.9÷91.6	92÷91.5
Heat efficiency at 30% load	%	93.9÷93.9	93.9÷93.9	93.9÷93.9	93.9÷93.9	93.9÷93.9	93.9÷93.9	93.9÷93.9	93.9÷93.9
Combustion efficiency at nominal load (100%)	%	92.8÷92.4	92.7÷92.4	92.6÷92	92.3÷92.1	92.8÷92.1	92.5÷91.9	91.4÷92	92.2÷91.8
Boiler capacity	l	398	462	565	671	753	836	1040	1242
Heat loss at casing (min.-max.)	%	0.7÷0.9	0.6÷0.9	0.3÷0.4	0.2÷0.5	0.5÷0.6	0.5÷0.4	0.4÷0.3	0.2÷0.3
Heat loss at chimney with burner on (min.-max.)	l	7.1÷7.5	7.2÷7.5	7.3÷7.9	7.6÷7.8	7.1÷7.8	7.4÷8	7.6÷7.9	7.7÷8.1
Heat loss at chimney with burner off (min.-max.)	%	0.2÷0.2	0.2÷0.2	0.2÷0.2	0.2÷0.2	0.2÷0.2	0.2÷0.2	0.2÷0.2	0.2÷0.2
Maximum boiler working pressure	bar	6	6	6	6	6	6	6	6
Water pressure drops (*)	m w.c.	0.09÷0.17	0.14÷0.25	0.21÷0.38	0.15÷0.26	0.19÷0.33	0.24÷0.41	0.18÷0.30	0.20÷0.35
Flue gas pressure drop	mm w.c.	16÷29	24÷43	32÷55	29÷51	33÷57	29÷49	32÷52	38÷67
Flue gas temperature tf-ta (min.-max.)	%	147÷154	149÷153	151÷163	156÷161	147÷160	152÷165	155÷163	158÷166
CO ₂ content	%	9.8÷9.8	9.8÷9.8	9.8÷9.8	9.8÷9.8	9.8÷9.8	9.8÷9.8	9.8÷9.8	9.8÷9.8
Flue gas mass flow rate (min.-max)	bar	514÷689	628÷837	781÷1034	947÷1247	1074÷1428	1225÷1593	1405÷1803	1633÷2167

ELLPREX (Gas fired)		1570	1850	2200	2650	3000	3500	4000
Nominal heat output	kW	1200÷1570	1400÷1850	1700÷2200	2000÷2650	2300÷3000	2700÷3500	3040÷4000
Thermal output of furnace	kW	1304÷1715	1520÷2020	1845÷2400	2170÷2890	2492÷3280	2930÷3825	3297÷4371
Efficiency at nominal load (100%)	%	92÷91.5	92.1÷91.5	92.1÷91.6	92.1÷91.7	92.3÷91.4	92.1÷91.4	92.2÷91.5
Heat efficiency at 30% load	%	93.9÷93.9	93.9÷93.9	93.9÷93.9	93.9÷93.9	93.9÷93.9	93.9÷93.9	93.9÷93.9
Combustion efficiency at nominal load (100%)	%	92.2÷91.9	92.4÷91.9	92.4÷91.9	92.4÷92	92.4÷91.8	92.4÷91.8	92.4÷91.8
Boiler capacity	l	1418	1617	2086	2324	2667	4142	4455
Heat loss at casing (min.-max.)	%	0.2÷0.4	0.3÷0.3	0.3÷0.3	0.3÷0.3	0.2÷0.3	0.3÷0.3	0.2÷0.3
Heat loss at chimney with burner on (min.-max.)	l	7.7÷8	7.5÷8.1	7.5÷8	7.5÷7.9	7.5÷8.1	7.5÷8.1	7.5÷8.1
Heat loss at chimney with burner off (min.-max.)	%	0.2÷0.2	0.2÷0.2	0.2÷0.2	0.2÷0.2	0.2÷0.2	0.2÷0.2	0.2÷0.2
Maximum boiler working pressure	bar	6	6	6	6	6	6	6
Water pressure drops (*)	m w.c.	0.19÷0.33	0.26÷0.45	0.21÷0.34	0.28÷0.48	0.36÷0.62	0.54÷0.84	0.54÷0.85
Flue gas pressure drop	mm w.c.	35÷60	42÷73	39÷65	43÷76	35÷60	47÷74	60÷80
Flue gas temperature tf-ta (min.-max.)	%	158÷165	153÷166	153÷164	153÷163	153÷167	153÷167	153÷166
CO ₂ content	%	9.8÷9.8	9.8÷9.8	9.8÷9.8	9.8÷9.8	9.8÷9.8	9.8÷9.8	9.8÷9.8
Flue gas mass flow rate (min.-max)	bar	1960÷2577	2284÷3036	2773÷3607	3261÷4344	3745÷4930	4404÷5754	4955÷6570

ELLPREX (Gas fired)		4500	5000	5500	6000	6500	7000
Nominal heat output	kW	3420÷4500	3800÷5000	4180÷5500	4560÷6000	4940÷6500	5320÷7000
Thermal output of furnace	kW	3638.3÷4838.7	4064.2÷5421.8	4446.8÷5914	4877÷6506.2	5255.3÷6989.2	5689.8÷7590.5
Efficiency at nominal load (100%)	%	94.0÷93.0	93.5÷92.22	94.0÷93.0	93.5÷92.22	94.0÷93.0	93.5÷92.22
Heat efficiency at 30% load	%	94.66÷93.65	94.15÷92.87	94.66÷93.65	94.15÷92.87	94.66÷93.65	94.15÷92.87
Combustion efficiency at nominal load (100%)	%	94.54÷93.51	94.05÷92.83	94.54÷93.46	94.05÷92.83	94.54÷93.46	94.05÷92.83
Boiler capacity	l	6012	6012	7058	7058	7909	7909
Heat loss at casing (min.-max.)	%	0.54÷0.51	0.55÷0.61	0.54÷0.46	0.55÷0.61	0.54÷0.46	0.55÷0.61
Heat loss at chimney with burner on (min.-max.)	l	5.46÷6.49	5.95÷7.17	5.46÷6.54	5.95÷7.17	5.46÷6.54	5.95÷7.17
Heat loss at chimney with burner off (min.-max.)	%	0.2÷0.2	0.2÷0.2	0.2÷0.2	0.2÷0.2	0.2÷0.2	0.2÷0.2
Maximum boiler working pressure	bar	6	6	6	6	6	6
Water pressure drops (*)	m w.c.	0.70÷0.85	0.80÷1.05	0.95÷1.15	1.00÷1.35	1.05÷1.50	1.10÷1.75
Flue gas pressure drop	mm w.c.	51÷88	65÷110	60÷100	68÷120	61÷105	69÷120
Flue gas temperature tf-ta (min.-max.)	%	112÷133	122÷147	112÷134	122÷147	112÷134	122÷147
CO ₂ content	%	9.8÷9.8	9.8÷9.8	9.8÷9.8	9.8÷9.8	9.8÷9.8	9.8÷9.8
Flue gas mass flow rate (min.-max)	bar	5468.9÷7273.3	6109.0÷8149.8	6684.2÷8889.5	7330.8÷9779.7	7899.5÷10505.8	8552.6÷11409.7

(*) Pressure drops corresponding to a thermal variation of 15K.

TECHNICAL DATA

ELECTRICAL, HYDRAULIC, INSTALLATION DIAGRAMS AND CONTROLLERS can be unloaded from the web site www.unical.eu at the page of the product

ELLPREX (Oil fired)		420	510	630	760	870	970	1100	1320
Nominal heat output	kW	315÷420	385÷510	480÷630	580÷760	660÷870	750÷970	860÷1100	1000÷1320
Thermal output of furnace	kW	342÷459	418÷557	520÷688	630÷830	715÷950	815÷1060	935÷1200	1087÷1442
Efficiency at nominal load (100%)	%	92.1÷91.5	92.1÷91.5	92.3÷91.5	92÷91.5	91.5÷91.5	92÷91.5	91.9÷91.6	92÷91.5
Heat efficiency at 30% load	%	93.9÷93.9	93.9÷93.9	93.9÷93.9	93.9÷93.9	3.9÷93.9	93.9÷93.9	93.9÷93.9	93.9÷93.9
Combustion efficiency at nominal load (100%)	%	92.7÷92.4	92.7÷92.4	92.6÷92	92.3÷92.1	92.1÷92.1	92.5÷91.9	92.3÷92	92.2÷91.8
Boiler capacity	l	398	462	565	671	753	836	1040	1242
Heat loss at casing (min.-max.)	%	0.6÷0.9	0.6÷0.9	0.3÷0.4	0.2÷0.5	0.5÷0.5	0.4÷0.4	0.4÷0.3	0.2÷0.2
Heat loss at chimney with burner on (min.-max.)	l	7.2÷7.5	7.3÷7.5	7.3÷7.9	7.6÷7.8	7.8÷7.8	7.4÷8	7.6÷7.9	7.7÷8.1
Heat loss at chimney with burner off (min.-max.)	%	0.2÷0.2	0.2÷0.2	0.2÷0.2	0.2÷0.2	0.2÷0.2	0.2÷0.2	0.2÷0.2	0.2÷0.2
Maximum boiler working pressure	bar	6	6	6	6	6	6	6	6
Water pressure drops (*)	m w.c.	0.09÷0.17	0.14÷0.25	0.21÷0.38	0.15÷0.26	0.19÷0.33	0.24÷0.41	0.18÷0.30	0.20÷0.35
Flue gas pressure drop	mm w.c.	16÷29	24÷43	32÷55	29÷51	33÷57	29÷49	32÷52	38÷67
Flue gas temperature tf-ta (min.-max.)	%	158÷166	160÷165	162÷175	168÷173	158÷172	164÷177	167÷175	170÷179
CO ₂ content	%	12.8÷12.8	12.8÷12.8	12.8÷12.8	12.8÷12.8	12.8÷12.8	12.8÷12.8	12.8÷12.8	12.8÷12.8
Flue gas mass flow rate (min.-max)	bar	523÷702	640÷852	796÷1053	964÷1271	1094÷1454	1248÷1632	1431÷1837	1664÷2208
ELLPREX (Oil fired)		1570	1850	2200	2650	3000	3500	4000	
Nominal heat output	kW	1200÷1570	1400÷1850	1700÷2200	2000÷2650	2300÷3000	2700÷3500	3040÷4000	
Thermal output of furnace	kW	1304÷1715	1520÷2020	1845÷2400	2170÷2890	2492÷3280	2930÷3825	3297÷4371	
Efficiency at nominal load (100%)	%	92÷91.5	92.1÷91.5	92.1÷91.6	92.1÷91.7	92.3÷91.4	92.1÷91.4	92.2÷91.5	
Heat efficiency at 30% load	%	93.9÷93.9	93.9÷93.9	93.9÷93.9	93.9÷93.9	93.9÷93.9	93.9÷93.9	93.9÷93.9	
Combustion efficiency at nominal load (100%)	%	92.2÷91.9	92.4÷91.8	92.4÷91.9	92.4÷92	92.4÷91.7	92.4÷91.7	92.4÷91.8	
Boiler capacity	l	1418	1617	2086	2324	2667	4142	4455	
Heat loss at casing (min.-max.)	%	0.2÷0.3	0.3÷0.3	0.3÷0.3	0.3÷0.3	0.1÷0.3	0.3÷0.3	0.2÷0.3	
Heat loss at chimney with burner on (min.-max.)	l	7.7÷8	7.5÷8.1	7.5÷8	7.5÷7.9	7.5÷8.2	7.5÷8.2	7.5÷8.1	
Heat loss at chimney with burner off (min.-max.)	%	0.2÷0.2	0.2÷0.2	0.2÷0.2	0.2÷0.2	0.2÷0.2	0.2÷0.2	0.2÷0.2	
Maximum boiler working pressure	bar	6	6	6	6	6	6	6	
Water pressure drops (*)	m w.c.	0.19÷0.33	0.26÷0.45	0.21÷0.34	0.28÷0.48	0.36÷0.62	0.54÷0.84	0.54÷0.85	
Flue gas pressure drop	mm w.c.	35÷60	42÷73	39÷65	43÷76	35÷60	47÷74	60÷80	
Flue gas temperature tf-ta (min.-max.)	%	170÷177	165÷178	165÷176	165÷175	165÷180	165÷180	165÷179	
CO ₂ content	%	12.8÷12.8	12.8÷12.8	12.8÷12.8	12.8÷12.8	12.8÷12.8	12.8÷12.8	12.8÷12.8	
Flue gas mass flow rate (min.-max)	bar	1996÷2626	2327÷3093	2825÷3675	3322÷4425	3816÷5022	4486÷5861	5048÷6693	
ELLPREX (Oil fired)		4500	5000	5500	6000	6500	7000		
Nominal heat output	kW	3420÷4500	3800÷5000	4180÷5500	4560÷6000	4940÷6500	5320÷7000		
Thermal output of furnace	kW	3638.3÷4838.7	4064.2÷5421.8	4446.8÷5914	4877÷6506.2	5255.3÷6989.2	5689.8÷7590.5		
Efficiency at nominal load (100%)	%	94.0÷93.0	93.5÷92.22	94.0÷93.0	93.5÷92.22	94.0÷93.0	93.5÷92.22		
Heat efficiency at 30% load	%	94.66÷93.65	94.15÷92.87	94.66÷93.65	94.15÷92.87	94.66÷93.65	94.15÷92.87		
Combustion efficiency at nominal load (100%)	%	94.53÷93.48	94.07÷92.84	94.53÷93.48	94.07÷92.84	94.53÷93.48	94.07÷92.84		
Boiler capacity	l	6012	6012	7058	7058	7909	7909		
Heat loss at casing (min.-max.)	%	0.53÷0.48	0.57÷0.62	0.53÷0.48	0.57÷0.62	0.53÷0.48	0.57÷0.62		
Heat loss at chimney with burner on (min.-max.)	l	5.47÷6.52	5.93÷7.16	5.47÷6.52	5.93÷7.16	5.47÷6.52	5.93÷7.16		
Heat loss at chimney with burner off (min.-max.)	%	0.2÷0.2	0.2÷0.2	0.2÷0.2	0.2÷0.2	0.2÷0.2	0.2÷0.2		
Maximum boiler working pressure	bar	6	6	6	6	6	6		
Water pressure drops (*)	m w.c.	0.70÷0.85	0.80÷1.05	0.95÷1.15	1.00÷1.35	1.05÷1.50	1.10÷1.75		
Flue gas pressure drop	mm w.c.	51÷88	65÷110	60÷100	68÷120	61÷105	69÷120		
Flue gas temperature tf-ta (min.-max.)	%	120÷143	130÷157	120÷143	130÷157	120÷143	130÷157		
CO ₂ content	%	12.8÷12.8	12.8÷12.8	12.8÷12.8	12.8÷12.8	12.8÷12.8	12.8÷12.8		
Flue gas mass flow rate (min.-max)	bar	5571.4÷7409.6	6223.5÷8302.5	6809.4÷9056.1	7468.2÷9963.0	8047.5÷10702.7	8712.9÷11623.5		

(*) Pressure drops corresponding to a thermal variation of 15K.